

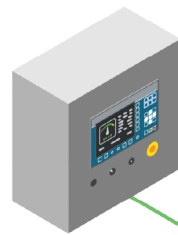
**Safe
and reliable
control and
monitoring
of your
vessel**

Engine Control

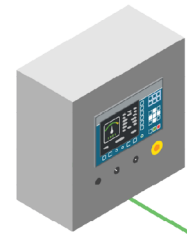


Enhance your fleet's operations

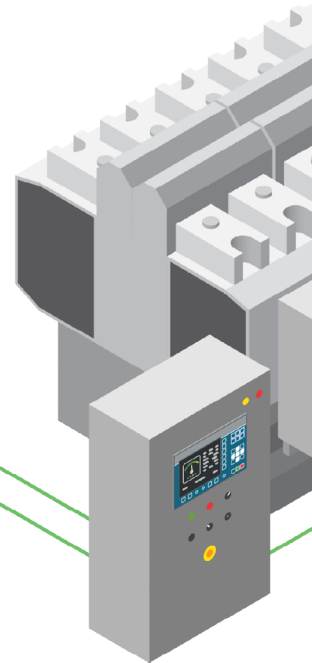
Our range of engine control and emission reduction solutions apply to a large number of operations and installations on vessels. Primarily focused on the commercial marine market and available with IACS certification, our complete marine panels offer pre-engineered, efficient and compliant equipment. Typically, these provide great value to engine packagers who have low electrical capabilities, operators who want to upgrade instrumentation on board, and in instances where enhanced features or functionality is required compared to the existing installation.



Control Room



Bridge



Key features:

- > Symmetrical **load sharing** for propulsion engines
- > **Control, monitoring, and protection** for any marine engine
- > **Redundant protection** capabilities
- > **Easy integration** to PMS for auxiliary engine controllers
- > J1939 connection to engines including **Tier 4F/Stage V** support
- > Support of multiple **CAN** devices
- > **IACS certified** solutions

**Get a complete solution
for your marine project,
from start to end**



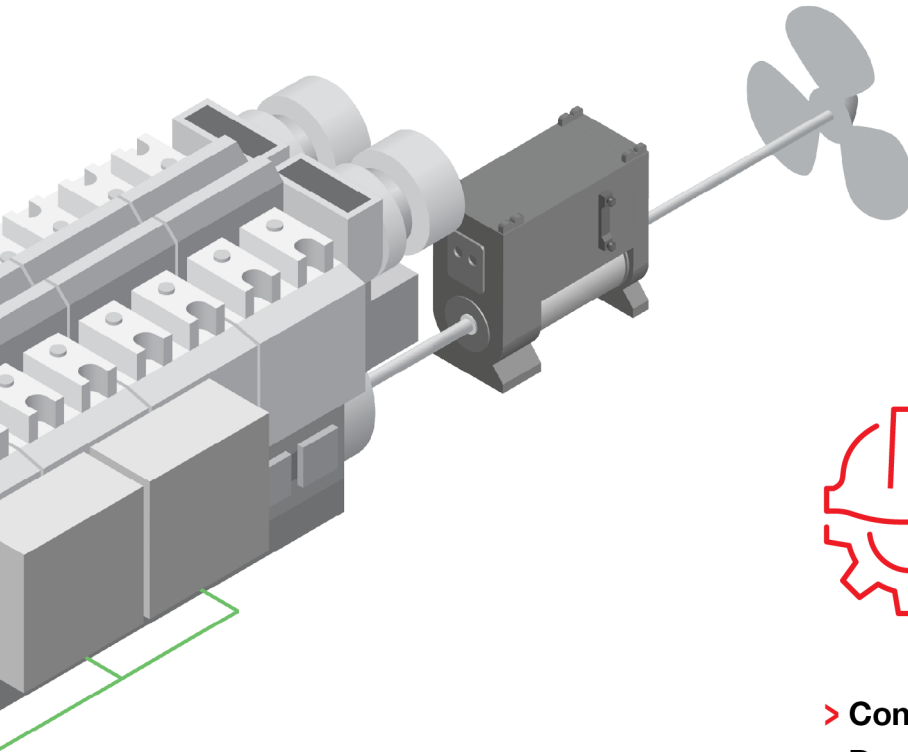
Main Control Panel



Remote Control Panel



Extension Control Panel



- > **Consulting**
- > **Design & production**
- > **Commissioning**
- > **Marine certifications**
- > **Training and technical support**



Propulsion control

ComAp offers reliable control and protection solutions for engine, gearbox, and throttle control, together with a bridge visualisation system with multiple remote displays and SCADA.

The system can improve engine performance and reduce fuel consumption based on vessel speed, engine speed and load, prevailing weather conditions, and route optimisation.

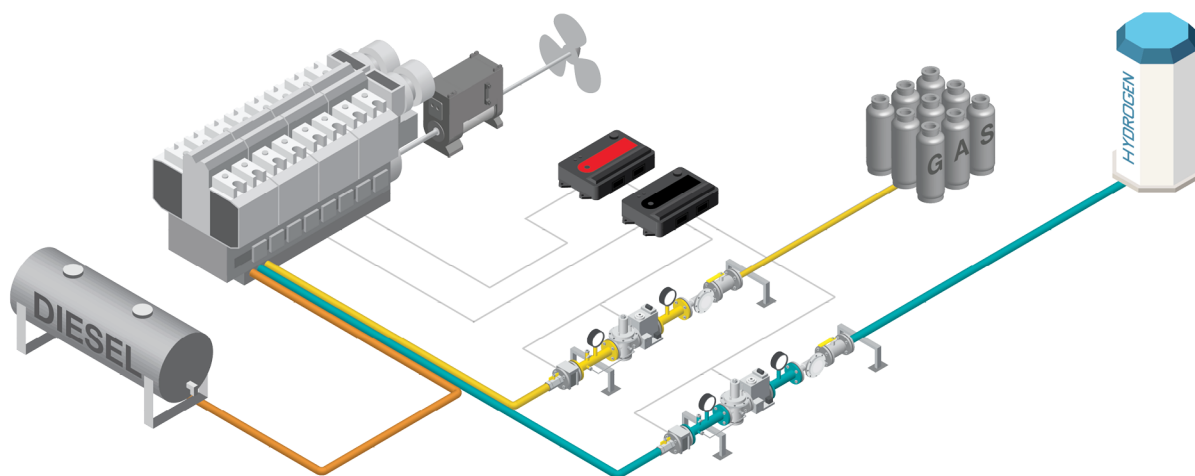
comap-control.com



Reduce marine emissions with ComAp's bi-fuel technology

Configure your diesel engine to run on gas and/or hydrogen and run your fleet more efficiently and ecologically.

Our solution can be used to upgrade any existing diesel engine, as well as for new engine builds using precise hydrogen or gas injection control.



- > Smooth and fully **automatic transition** between diesel and bi-fuel operation
- > Significant engine **emissions reductions** NO_x, PM, SO_x, CO₂
- > Improved operational **efficiency**



Monitoring and protecting the prime mover of a vessel is at the heart of safe, reliable, and cost-effective ship operations.



Keep your diesel **propulsion or auxiliary** engine application **under control and protection** anytime on the water.



ComAp has obtained **IACS** certificates from the larger certification societies around the world, thus ensuring compliance of your vessel to the IACS standard and a true **mark of quality**.



comap-control.com

